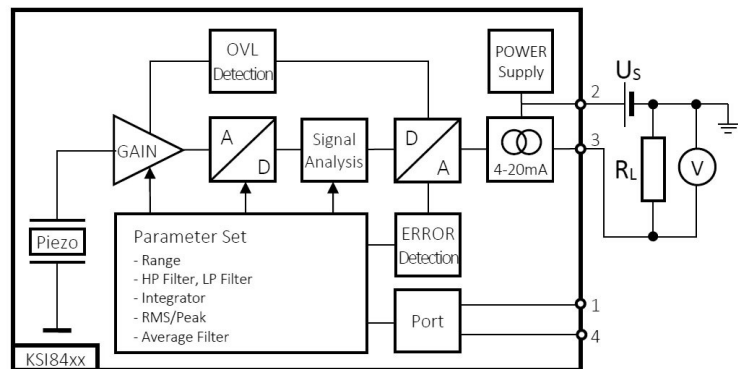
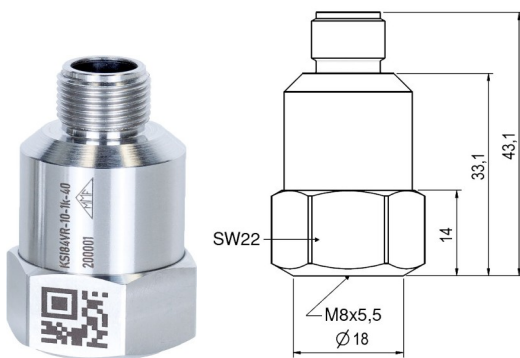


Vibration Velocity Sensor with Peak Output 4 – 20 mA

KSI84VP-...

Properties

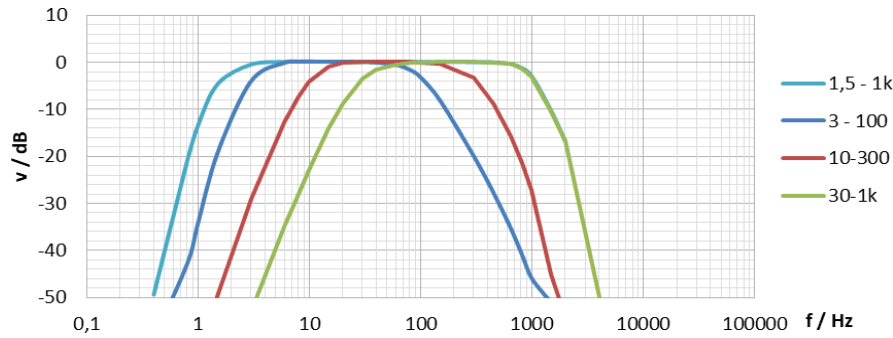
- Suited for direct connection to standard control and measurement equipment, e.g. PLCs or panel meters
- Particularly suited for machine condition monitoring to ISO 20816
- Types with different measurement ranges
- Loop powered
- Ground insulated
- Compact and rugged design
- M12 socket for easy cable connection
- Protected against false polarization and overvoltage
- Double shielded case for best EMC properties
- High protection grade IP68
- With identical design also available as acceleration and displacement sensor with RMS or peak output



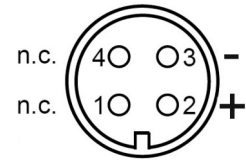
Piezo design	Shear design	
Output	4 .. 20 mA, peak of vibration velocity	
Full scale value (cf. type list)	10 / 12,7 / 20 / 25,4 / 40 / 50,8	mm/s
Linear range for <2 % error, referred to full scale output	1 – 112,5	%
Full scale tolerance	2	%
Destruction limit	±5000	g
Transverse sensitivity	<5	%
Lower frequency limit (cf. type list)	10 / 30	Hz
Upper frequency limit (cf. type list)	100 / 300 / 1000	Hz
Loop supply voltage	10 – 30	V
Settling time	4	s
Operating temperature range	-40 – 100	°C
Temperature coefficient of sensitivity	+0,015	%/K
4 mA offset drift over operating temperature range	±4	µA
4 mA offset drift over time	±1	µA
Weight without cable	60	g
Case material	Stainless steel	
Direction of connector	axial	
Connection	M12, 4 contacts, male. (Binder 713)	
Mounting	tapped hole M8 x 5,5	
Isolation at 250 VDC	>4	GΩ
Protection grade	IP68	



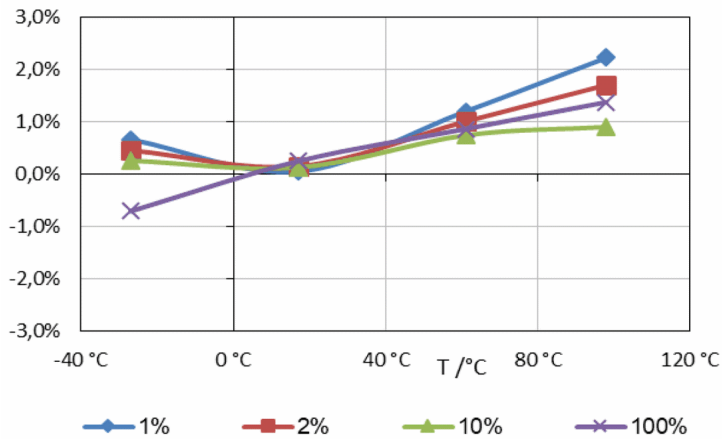
Typical Amplitude Response (example)



Contact Arrangement



Linearity vs. Temperature and Vibration Amplitude



Type List

High pass H [Hz]	Low pass L [Hz]	Range* R [mm/s]	Type code KSI84VP-H-L-R	Noise* [mm/s]
10	100/300/1k	20	KSI84VP-10-L-20	0,01
10	100/300/1k	25,4	KSI84VP-10-L-25	0,01
10	100/300/1k	40	KSI84VP-10-L-40	0,01
10	100/300/1k	50,8	KSI84AP-1-L-50	0,01
30	300/1k	10	KSI84VP-30-L-10	0,05
30	300/1k	12,7	KSI84VP-30-L-12	0,05
30	300/1k	20	KSI84VP-30-L-20	0,05
30	300/1k	25,4	KSI84VP-30-L-25	0,05
30	300/1k	40	KSI84VP-30-L-40	0,05
30	300/1k	50,8	KSI84VP-30-L-50	0,05

* peak values

Mounting Accessories

- 043: Mounting stud; M8 x 10
- 229: Adhesive flange; conductive; M8; D25; >250 °C
- 208: Rare earth magnetic base; M8; D30; 120 °C
- 230: Triaxial mounting cube; M8; □34

Connection Accessories

- 080G: Plug Binder 713 (female) with screw terminals, IP67; straight
- 080W: Plug Binder 713 (female) with screw terminals, IP67; angled
- 082-B713G-PIG-5: Cable for KSI84xx; 5 m; Binder 713; straight; female to pig tail; 80 °C; D5
- 082-B713W-PIG-5: Cable for KSI84xx; 5 m; Binder 713; angled; female to pig tail; 80 °C; D5

